



# HTM12864-117-31W-A3S

产品名称 (Product name) : 黑白点阵字库 COB

型 号 (Model) : HTM12864-117-31W-A3S

编 号 (Part number) : \_\_\_\_\_

日 期 (Date) : 2021-10-18

## 深圳市鑫洪泰电子科技有限公司

Shenzhen Hot Display Technology Co.,Ltd

编制 Prepared by	审核 Checked by	核准 Approved by

编码: QR-R-011 A/0

序号:

Rev.	Descriptions	Date
01	Prelimiay Release	2021-10-18

## Table of Content

<b>1. Bsaic Specifications</b>	-----	<b>3</b>
1.1 Display Specifications	-----	3
1.2 Mechanical Specifications	-----	3
1.3 Circuit Diagram	-----	3
1.4 Terminal Function	-----	4
1.5 Product Outline	-----	5
<b>2. Absolute Maximum Ratings</b>	-----	<b>7</b>
<b>3. Electrical Characteristics</b>	-----	<b>7</b>
3.1 DC Characteristics	-----	7
3.2 LED Backlight Circuit	-----	7
3.3 AC Characteristics	-----	8
3.4 Reset Timing	-----	10
<b>4. Function specifications</b>	-----	<b>11</b>
4.1 Basic Setting	-----	11
4.2 Resetting the LCD module	-----	12
4.3 Display Memory Map	-----	12
4.4 Display Commands	-----	13
4.5 Basic Operating Sequence	-----	14
<b>5. Inspection Standards</b>	-----	<b>15</b>
<b>6. Handling Precautions</b>	-----	<b>16</b>
6.1 Mounting method	-----	16
6.2 Cautions of LCD handling and cleaning	-----	16
6.3 Caution against static charge	-----	16
6.4 Packaging	-----	16
6.5 Caution for operation	-----	16
6.6 Storage	-----	16
6.7 Safety	-----	16

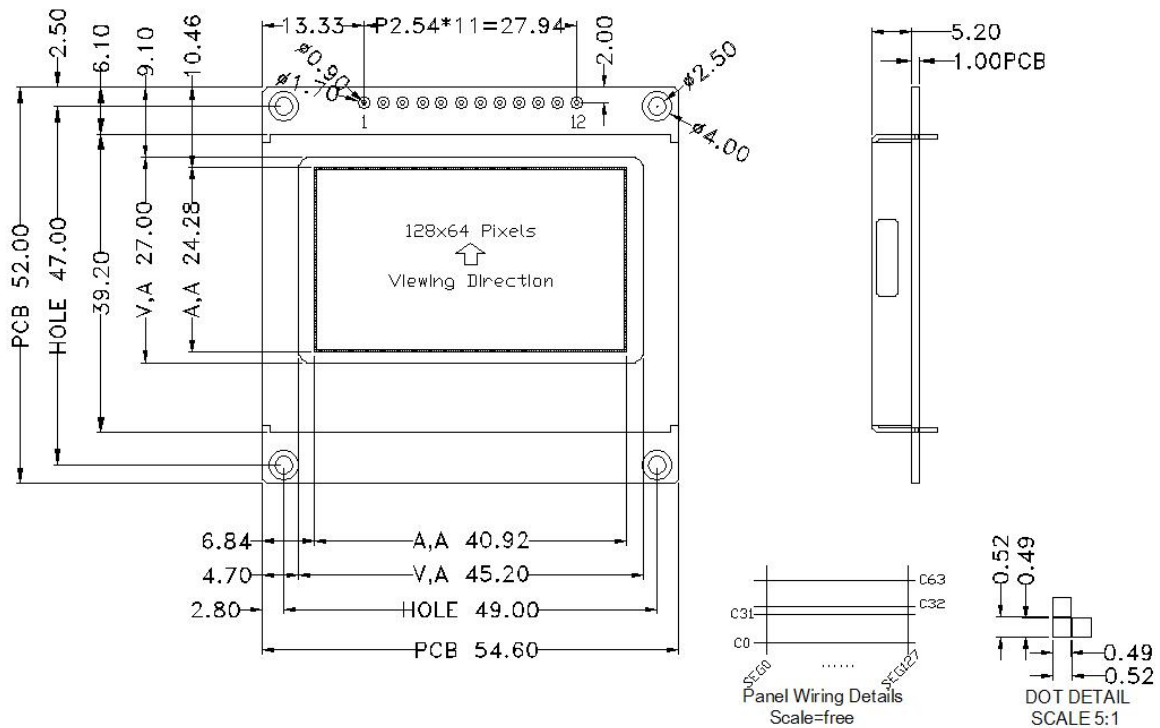
# 1. Basic Specifications

## 1.1 Display Specifications

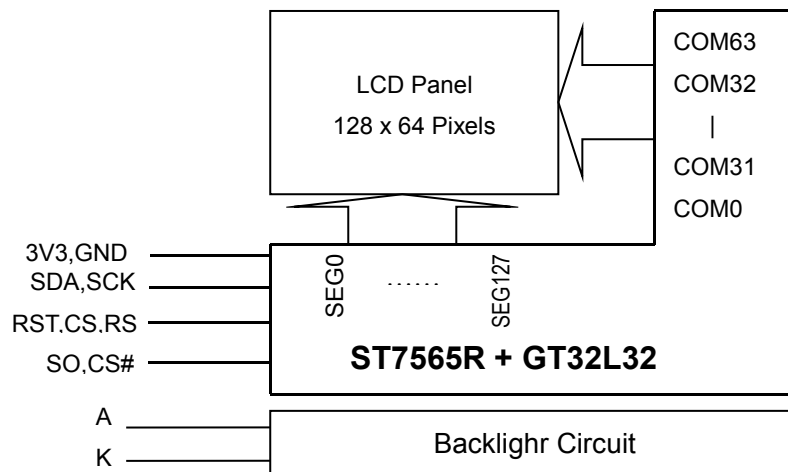
- 1>LCD Display Mode : FSTN, Positive, Transflective
- 2>Viewing Angle : 6H
- 3>Driving Method : 1/64 Duty, 1/9 Bias
- 4>Backlight : White LED (3 pcs)

## 1.2 Mechanical Specifications

- 1>Outline Dimension : 54.6x 52.0x 5.2mm (See attached Outline Drawing for Details)



## 1.3 Circuit Diagram



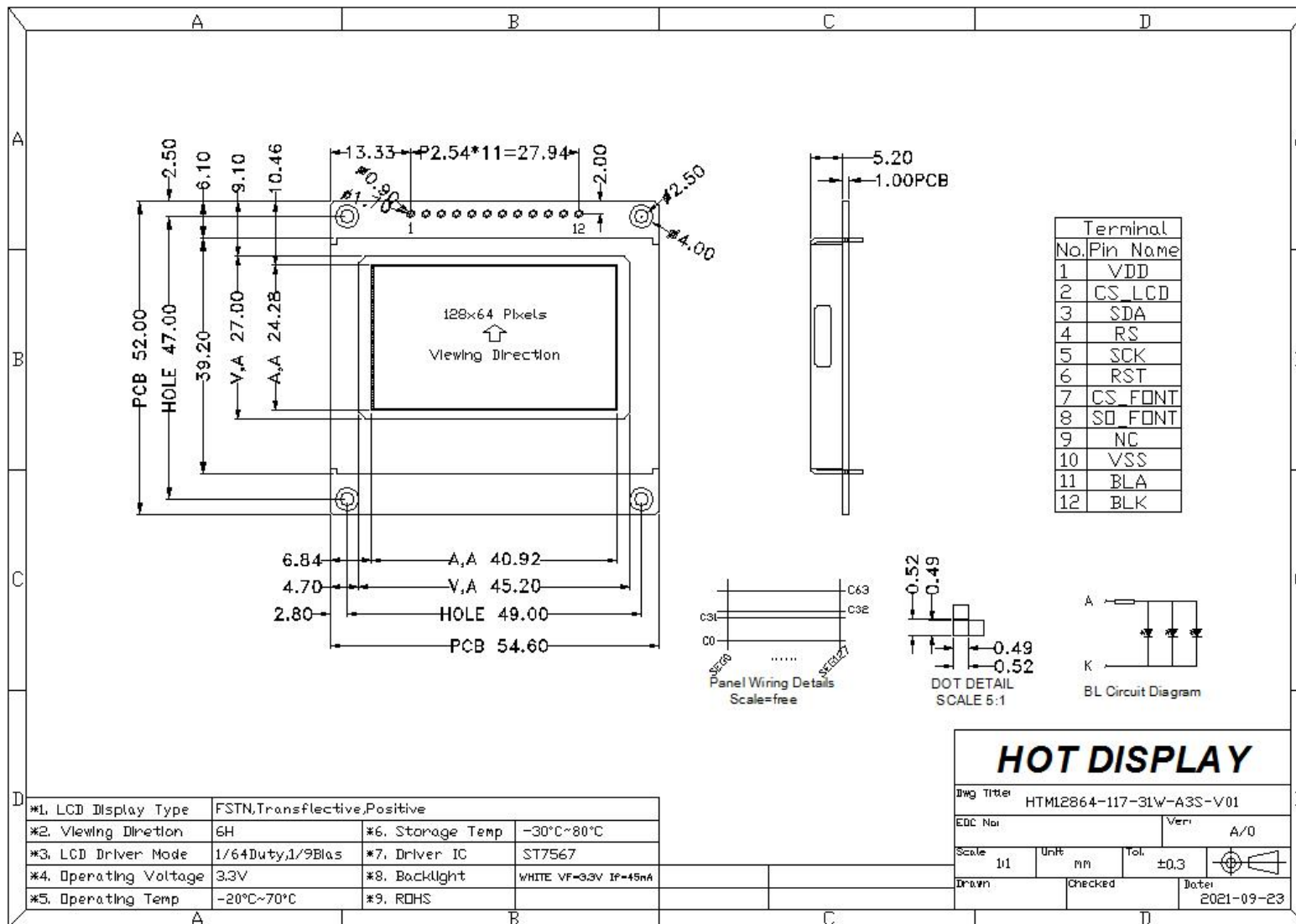


1.4 Terminal Function

Pin No.	Pin Name	Function
1	VDD	Positive Power Supply(3.3V)
2	CS_LCD	Chip enable for LCM (CS1)
3	SDA	Serial Data Input(SI) for LCM and GT32L32
4	RS	Register Select either data or instruction (RS/A0)
5	SCK	Serial Clock Input(SCL/SCLK) for LCM and GT32L32
6	RST	Reset Signal /RES
7	CS#	Chip enable for GT32L32
8	SO	Serial Data Output from GT32L32
9	NC	
10	GND	Power Supply, (VSS/0V)
11	BLA	Backlight Power Supply +(3.3V)
12	BLK	Backlight Power Supply -



1.5 Product Outline



## 2. Absolute Maximum Ratings

Items	Symbol	MIN.	MAX.	Unit	Condition
Supply Voltage	V <sub>DD</sub>	-0.3	+3.6	V	V <sub>SS</sub> = 0V
Input Voltage	V <sub>IN</sub>	-0.3	V <sub>DD</sub> +0.3	V	V <sub>SS</sub> = 0V
Operating Temperature	T <sub>OP</sub>	-20	+70	°C	No Condensation
Storage Temperature	T <sub>st</sub>	-30	+80	°C	No Condensation

## 3. Electrical Characteristics

### 3.1 DC Characteristics

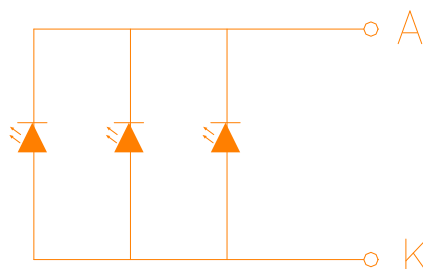
V<sub>SS</sub> = 0V, Top = 25°C

Items	Symbol	MIN.	TYP.	MAX.	Unit	Condition
Operating Voltage	V <sub>DD</sub>	2.4	3.3	3.6	V	-
Input High Voltage	V <sub>IH</sub>	0.8 x V <sub>DD</sub>	-	V <sub>DD</sub>	V	/CS1,/RES,A0,/WR,
Input Low Voltage	V <sub>IL</sub>	V <sub>SS</sub>	-	0.2 x V <sub>DD</sub>	V	/RD,D0~D7,C86
Output High Voltage	V <sub>OH</sub>	0.8 x V <sub>DD</sub>	-	V <sub>DD</sub>	V	D0~D7
Output Low Voltage	V <sub>OL</sub>	V <sub>SS</sub>	-	0.2 x V <sub>DD</sub>	V	D0~D7
Operation Current	I <sub>op</sub>	90	1000	210	μA	V <sub>DD</sub> =3.3
Sleep Current	I <sub>sl</sub>	0.1	-	10	μA	-

### 3.2 LED Backlight Circuit

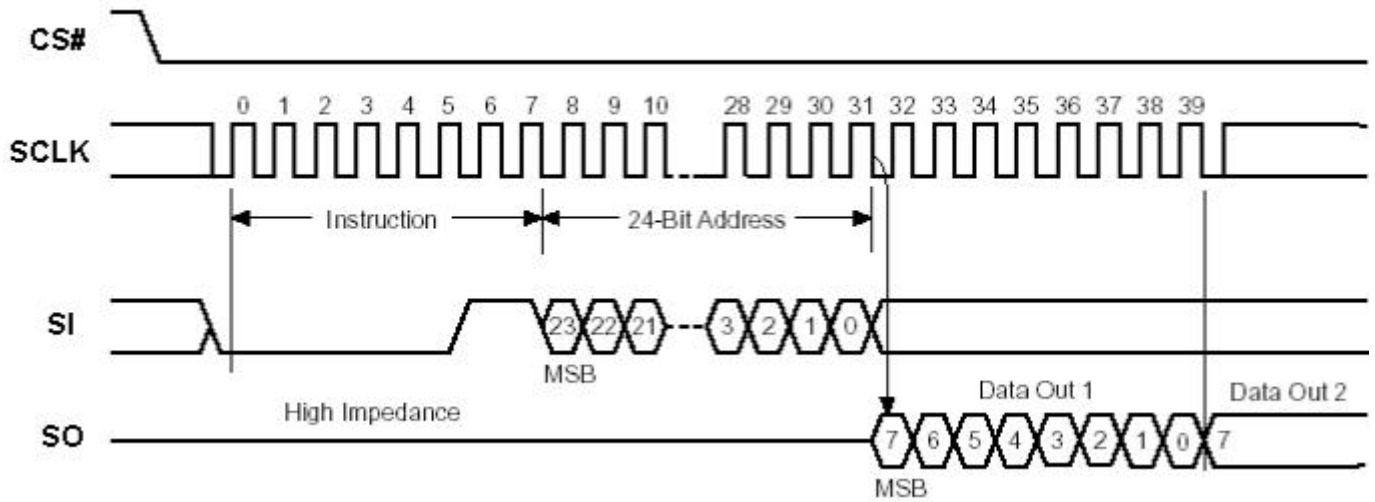
V<sub>SS</sub> = 0V, Top = 25°C

Items	Symbol	MIN.	TYP.	MAX.	Unit	Condition
Forward Voltage	V <sub>f</sub> BLA	-	3.3	-	V	A=3.1V
Forward Current	I <sub>f</sub> BLA	-	32	60	mA	-



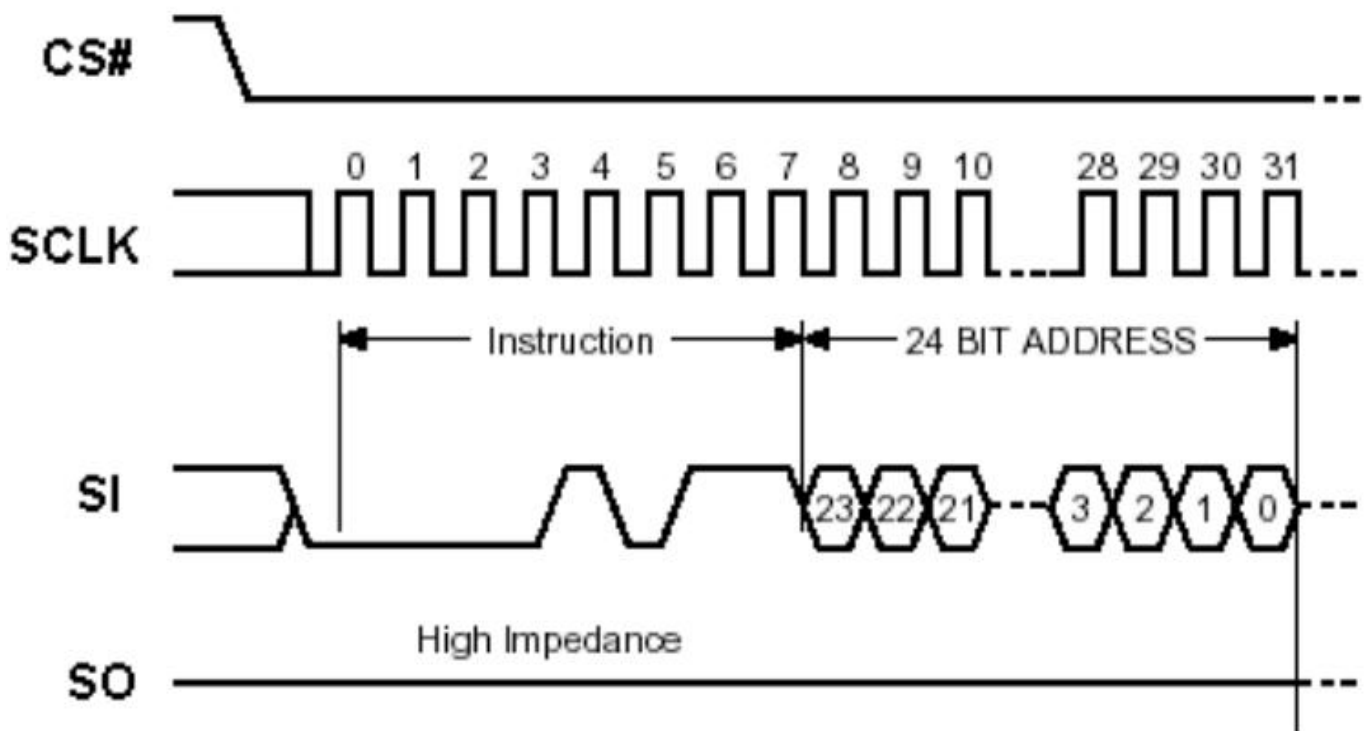
### 3.3 AC Characteristics

#### 3.3.1 GT32L32 SPI Mode (Read Data Bytes Instruction Sequence and Data-out sequence)



#### 3.3.2 GT32L32 SPI Mode Timing (Read Data Bytes at Higher Speed)

URL: [www.hotlcd.com](http://www.hotlcd.com)



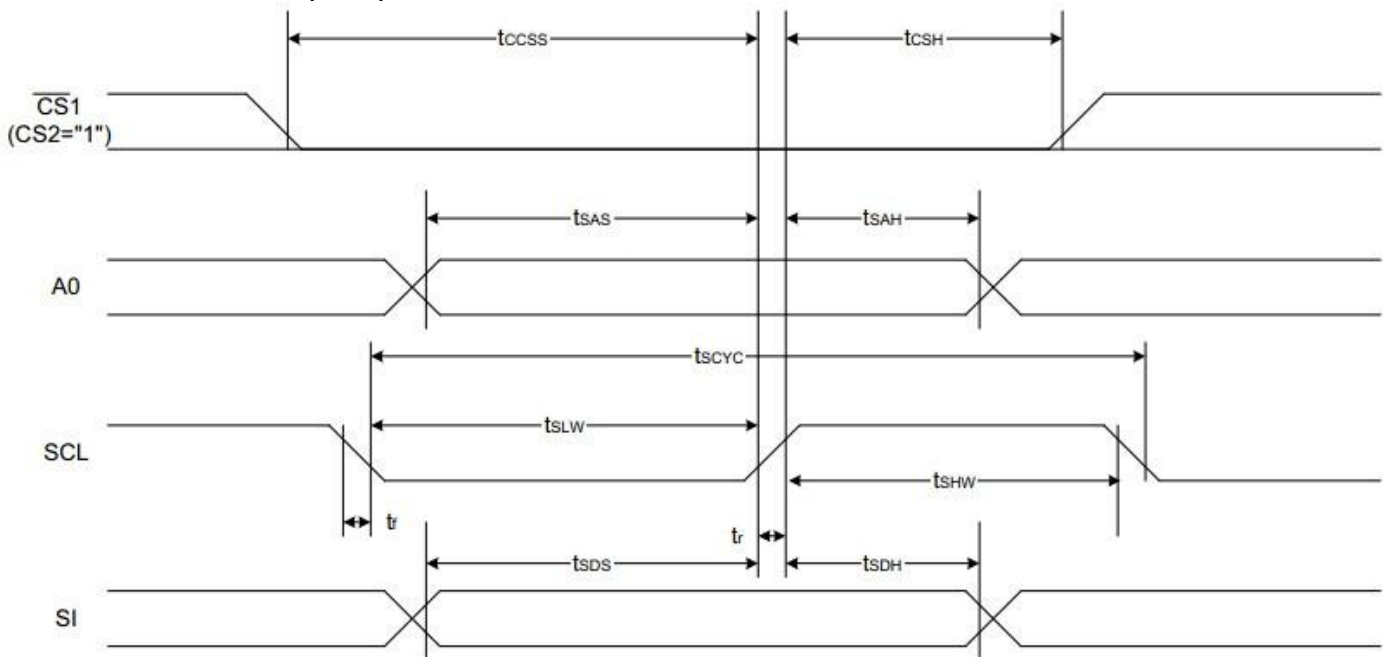
Note: 1. Details please see GT32I32 DATASHEET

2. Refer to the reference program that be provided by Hot display company





3.3.3 4-line SPI Mode (LCM)



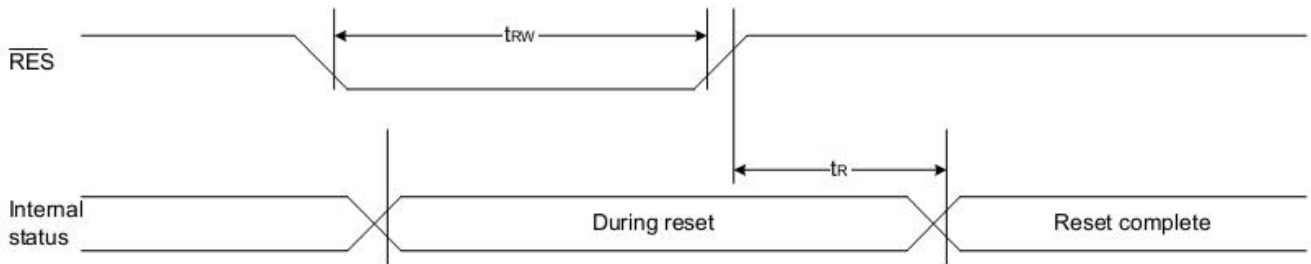
(VDD = 3.3V, Ta = -30 to 85°C)

Item	Signal	Symbol	Condition	Rating		Units
				Min.	Max.	
4-line SPI Clock Period	SCL	$T_{scyc}$		50	—	ns
SCL "H" pulse width		$T_{shw}$		25	—	
SCL "L" pulse width		$T_{slw}$		25	—	
Address setup time	A0	$T_{sas}$		20	—	
Address hold time		$T_{sah}$		10	—	
Data setup time	SI	$T_{sds}$		20	—	
Data hold time		$T_{sdh}$		10	—	
CS-SCL time	CS	$T_{css}$		20	—	
CS-SCL time		$T_{csh}$		40	—	

(VDD = 1.8V, Ta = -30 to 85°C)

Item	Signal	Symbol	Condition	Rating		Units
				Min.	Max.	
4-line SPI Clock Period	SCL	$T_{scyc}$		200	—	ns
SCL "H" pulse width		$T_{shw}$		80	—	
SCL "L" pulse width		$T_{slw}$		80	—	
Address setup time	A0	$T_{sas}$		60	—	
Address hold time		$T_{sah}$		30	—	
Data setup time	SI	$T_{sds}$		60	—	
Data hold time		$T_{sdh}$		30	—	
CS-SCL time	CS	$T_{css}$		40	—	
CS-SCL time		$T_{csh}$		100	—	

### 3.4 Reset Timing



(VDD = 3.3V, Ta = -30 to 85°C)

Item	Signal	Symbol	Condition	Rating			Units
				Min.	Typ.	Max.	
Reset time		tR		—	—	1.0	us
Reset "L" pulse width	/RES	tRW		1.0	—	—	us

Table 37

(VDD = 2.7V, Ta = -30 to 85°C)

Item	Signal	Symbol	Condition	Rating			Units
				Min.	Typ.	Max.	
Reset time		tR		—	—	2.0	us
Reset "L" pulse width	/RES	tRW		2.0	—	—	us

Table 38

(VDD = 1.8V, Ta = -30 to 85°C)

Item	Signal	Symbol	Condition	Rating			Units
				Min.	Typ.	Max.	
Reset time		tR		—	—	3.0	us
Reset "L" pulse width	/RES	tRW		3.0	—	—	us

#### Note:

\*a. all timing is using 20% and 80% of VDD as the reference.

## 4. Function specifications

### 4.1 Basic Setting

To drive the LCD module correctly and provide normally display, please use the following setting

- 1> ADC = 0 (normal)
- 2> SHL select = 1(reverse)
- 3> LCD Bias Select = 1/9
- 4> Initial Display Line = 0
- 5> Entire Display ON/OFF = OFF(normal)
- 6> Reverse Display ON/OFF = OFF(normal)
- 7> Set Power Control Set:  
Voltage follower = ON, voltage converter = ON, Voltage regulator = ON
- 8> Display ON/OFF = ON

### 4.2 Resetting the LCD module

URL: [www.hotlcd.com](http://www.hotlcd.com)

The LCD module should be initialized bu using /RES terminal.  
While turning on the VDD and VSS power supply, maintain /RES terminal at LOW level, After the Power supply stabilized, release the reset terminal(/RES = High)

### 4.3 Display Memory Map

Page address	data	LCD Display (front view)	
3	D0 : D7		
2	D0 : D7		
1	D0 : D7		
0	D0 : D7		
7	D0 : D7		
6	D0 : D7		
5	D0 : D7		
4	D0 : D7		
Column Address		01h	→ 80 h

#### 4.4 Display Commands

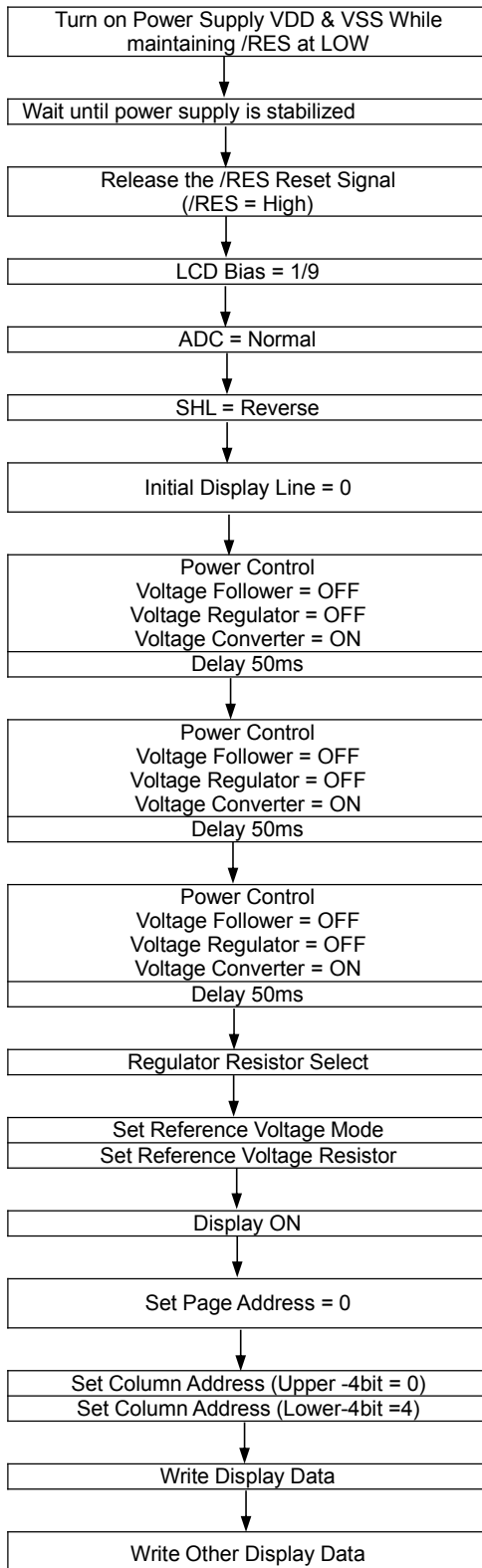
No.	Instrctions	Code												Function
		A0	/RD	/WR	D7	D6	D5	D4	D3	D2	D1	D0		
1	Display ON/OFF	0	1	0	1	0	1	0	1	1	1	1	DON	DON=0,display off DON=1,display on
2	Display start line set	0	1	0	0	1	Display start address						Set the display RAM display start line address	
3	Set Page Address	0	1	0	1	0	1	1	Page address					Set the display RAM Page address
4	Ser Column Address (Upper-4 bits)	0	1	0	0	0	0	1	Col. Add					Set the upper-4-bit of column address counter
	Ser Column Address (Lower-4 bits)	0	1	0	0	0	0	0	Col. Add					Set the low-4-bit of column address counter
5	Read Staus	0	0	1	Status				0	0	0	0		Read the status data
6	Write Display Data	1	1	0	Write Data									Write data into the display RAM
7	Read Display Data	1	0	1	Read Data									Read data from the display RAM
8	ADC Select	0	1	0	1	0	1	0	0	0	0	0	ADC	Set the display RAM address SEG output Correspondence ADC = 0,Normal. ADC = 1,Reverse
9	Normal/Reverse Display	0	1	0	1	0	1	0	0	1	1		REV	REV = 0, Normal REV = 1, Reverse
10	Entire Display ON/OFF	0	1	0	1	0	1	0	0	1	0		EON	EON = 0, Normal EON = 1, Entire display ON
11	Set LCD Bias	0	1	0	1	0	1	0	0	0	1		BIAS	Bias = 0, 1/9 Bias Bias = 1, 1/7 Bias
12	Set Read-Modify-Write	0	1	0	1	1	1	0	0	0	0	0		Enter the "Read-Modify-Write" mode
13	Reset Read-Modify-Write	0	1	0	1	1	1	0	1	1	1	0		Clear the "Read-Modify-Write" mode
14	Reset	0	1	0	1	1	1	0	0	0	1	0		Resets the LCD module
15	SHL S elect	0	1	0	1	1	0	0	SHL	*	*	*		Set the COM scanning direction SHL = 0, Normal SHL = 1, Flipped in y-direction * = don't care terms
16	Power Control Set	0	1	0	0	0	1	0	1	VC	VR	VF		Set the power circuit operation mode VF : LCD Supply Voltage Follower VR : LCD Supply Voltage Regulator VF : LCD Supply Voltage Converter (1 = ON, 0 = OFF)
17	Regulator Resistor Select	0	1	0	0	0	1	0	0	Ratio				Set the built-in resistor ratio (Rb/Ra)
18	Electronic volume mode set	0	1	0	1	0	0	0	0	0	0	1		Set reference voltage mode
	Electronic volume register set	0	1	0	*	*	Electronic Control value						Set reference voltage register	
19	Power Save		-	-	-	-	-	-	-	-	-	-		Compound instruction Display OFF + Entire Display ON
20	NOP	0	1	0	1	1	1	0	0	0	1	1		Non-operation command

#### Note:

\*a. For the details of the Display Commands, please refer to ST7565R data sheet

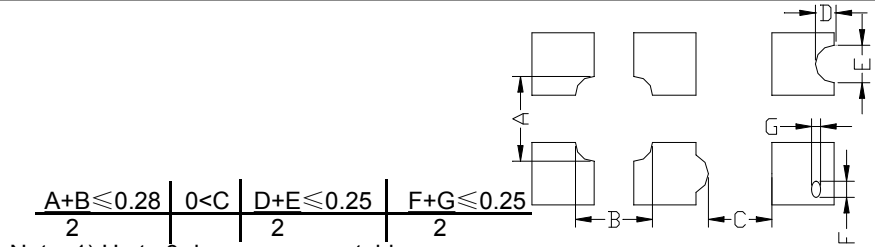
### 4.5 Basic Operating Sequence

#### Initialization Sequence



Code Function										hex	Note
A0	D7	D6	D5	D4	D3	D2	D1	D0			
-	-	-	-	-	-	-	-	-	-	-	-
-	-	-	-	-	-	-	-	-	-	-	-
-	-	-	-	-	-	-	-	-	-	-	See AC Characteristics section for timing details
0	1	0	1	0	0	0	1	0		A2H	LCD Characteristics
0	1	0	1	0	0	0	0	0		A0H	No flip on x-direction (SEG)
0	1	1	0	0	1	0	0	0		C8H	Flip on y- direction (COM)
0	0	1	0	0	0	0	0	0		40H	i.e. Display RAM "Page 0-D0" Matched to top line of the LCD
0	0	0	1	0	1	1	0	0		2CH	Turn on the internal Voltage Converter and wait until VOUT stable
-	-	-	-	-	-	-	-	-		-	
0	0	0	1	0	1	1	1	0		2EH	Turn on the internal Voltage Regulator and wait until VOUT stable
-	-	-	-	-	-	-	-	-		-	
0	0	0	1	0	1	1	1	1		2FH	Turn on the internal Voltage Follower and wait until VOUT stable
-	-	-	-	-	-	-	-	-		-	
0	0	0	1	0	0	1	0	1		25H	Set the built-in resistor ratio to middle
0	1	0	0	0	0	0	0	1		81H	Set to the middle of the range it may be adjusted For achieving the best display contrast
0	0	0	0	1	1	0	1	0		20H	
0	1	0	1	0	1	1	1	1		AFH	Turn on the LCD display
0	1	0	1	1	0	0	0	0		B0H	Specify the display data RAM page address to 00H
0	0	0	0	1	0	0	0	0		10H	Specify the display data RAM column address to 00H
0	0	0	0	0	0	1	0	0		01H	
1	Display Data									-	

## 5. Inspection Standards

Item	Criterion for defects	Defect type
1) Display on inspection	(1) Non display (2) Vertical line is deficient (3) Horizontal line is deficient (4) Cross line is deficient	Major
2) Black / White spot	Size $\Phi$ (mm) Acceptable number $\Phi \leq 0.3$ Ignore (note) $0.3 < \Phi \leq 0.45$ 3 $0.45 < \Phi \leq 0.6$ 1 $0.6 < \Phi$ 0	Minor
3) Black / White line	Length (mm) Width (mm) Acceptable number $L \leq 10$ $W \leq 0.03$ Ignore $5.0 \leq L \leq 10$ $0.03 < W \leq 0.04$ 3 $5.0 \leq L \leq 10$ $0.04 < W \leq 0.05$ 2 $1.0 \leq L \leq 10$ $0.05 < W \leq 0.06$ 2 $1.0 \leq L \leq 10$ $0.06 < W \leq 0.08$ 1 $L \leq 10$ $0.08 < W$ follows 2) point defect Defects separate with each other at an interval of more than 20mm	Minor
4) Display pattern	 <p>Note: 1) Up to 3 damages acceptable 2) Not allowed if there are two or more pinholes every three-fourth inch.</p>	Minor
5) Spot-like contrast irregularity	Size $\Phi$ (mm) Acceptable Number $\Phi \leq 0.7$ Ignore (note) $0.7 < \Phi \leq 1.0$ 3 $1.0 < \Phi \leq 1.5$ 1 $1.5 < \Phi$ 0 Note: 1) Conformed to limit samples. 2) Intervals of defects are more than 30mm.	Minor
6) Bubbles in polarizer	Size $\Phi$ (mm) Acceptable Number $\Phi \leq 0.4$ Ignore (note) $0.4 < \Phi \leq 0.65$ 2 $0.65 < \Phi \leq 1.2$ 1 $1.2 < \Phi$ 0	Minor
7) Scratches and dent on the polarizer	Scratches and dent on the polarizer shall be in the accordance with "2) Black/white spot", and "3) Black/White line".	Minor
8) Stains on the surface of LCD panel	Stains which cannot be removed even when wiped lightly with a soft cloth or similar cleaning.	Minor
9) Rainbow color	No rainbow color is allowed in the optimum contrast on state within the active area.	Minor
10) Viewing area encroachment	Polarizer edge or line is visible in the opening viewing area due to polarizer shortness or sealing line.	Minor
11) Bezel appearance	Rust and deep damages that are visible in the bezel are rejected.	Minor
12) Defect of land surface contact	Evident crevices that are visible are rejected.	Minor
13) Parts mounting	(1) Failure to mount parts (2) Parts not in the specifications are mounted (3) For example: Polarity is reversed, HSC or TCP falls off.	Minor
14) Part alignment	(1) LSI, IC lead width is more than 50% beyond pad outline. (2) More than 50% of LSI, IC leads is off the pad outline.	Minor
15) Conductive foreign matter (solder ball, solder hips)	(1) $0.45 < \Phi$ , $N \geq 1$ (2) $0.3 < \Phi \leq 0.45$ , $N \geq 1$ , $\Phi$ : Average diameter of solder ball (unit: mm) (3) $0.5 < L$ , $N \geq 1$ , $L$ : Average length of solder chip (unit: mm)	Minor
16) Bezel flaw	Bezel claw missing or not bent	Minor
17) Indication on name plate (sampling indication label)	(1) Failure to stamp or label error, or not legible.(all acceptable if legible) (2) The separation is more than 1/3 for indication discoloration, in which the characters can be checked.	Minor

## 6. Handling Precautions

### 6.1 Mounting method

A panel of LCD module made by our company consists of two thin glass plates with polarizers that easily get damaged. And since the module is so constructed as to be fixed by utilizing fitting holes in the printed circuit board (PCB), extreme care should be used when handling the LCD modules.

### 6.2 Cautions of LCD handling and cleaning

When cleaning the display surface, use soft cloth with solvent (recommended below) and wipe lightly.

- Isopropyl alcohol
- Ethyl alcohol
- Trichlorotrifluoroethane

Do not wipe the display surface with dry or hard materials that will damage the polarizer surface.

Do not use the following solvent:

- Water
- Ketene
- Aromatics

### 6.3 Caution against static charge

The LCD module uses C-MOS LSI drivers. So we recommend you:

Connect any unused input terminal to  $V_{dd}$  or  $V_{ss}$ . Do not input any signals before power is turned on, and ground your body, work/assembly areas, assembly equipment to protect against static electricity.

### 6.4 Packaging

- Module employs LCD elements, and must be treated as such. Avoid intense shock and falls from a height.
- To prevent modules from degradation, do not operate or store them exposed directly to sunshine or high temperature/humidity.

### 6.5 Caution for operation

It is an indispensable condition to drive LCD module within the limits of the specified voltage since the higher voltage over the limits may cause the shorter life of LCD module.

-An electrochemical reaction due to DC (direct current) causes LCD undesirable deterioration so that the uses of DC (direct current) drive should be avoided.

-Response time will be extremely delayed at lower temperature than the operating temperature range and on the other hand at higher temperature LCD module may show dark color in them. However those phenomena do not mean malfunction or out of order of LCD module, which will come back in the specified operating temperature.

### 6.6 Storage

In the case of storing for a long period of time, the following ways are recommended:

- Storage in polyethylene bag with the opening sealed so as not to enter fresh air outside in it. And with not desiccant.
- Placing in a dark place where neither exposure to direct sunlight nor light is. Keeping the storage temperature range.
- Storing with no touch on polarizer surface by any thing else.

### 6.7 Safety

-It is recommendable to crush damaged or unnecessary LCD into pieces and to wash off liquid crystal by either of solvents such as acetone and ethanol, which should be burned up later.

-When any liquid leaked out of a damaged glass cell comes in contact with your hands, please wash it off well at once with soap and water.