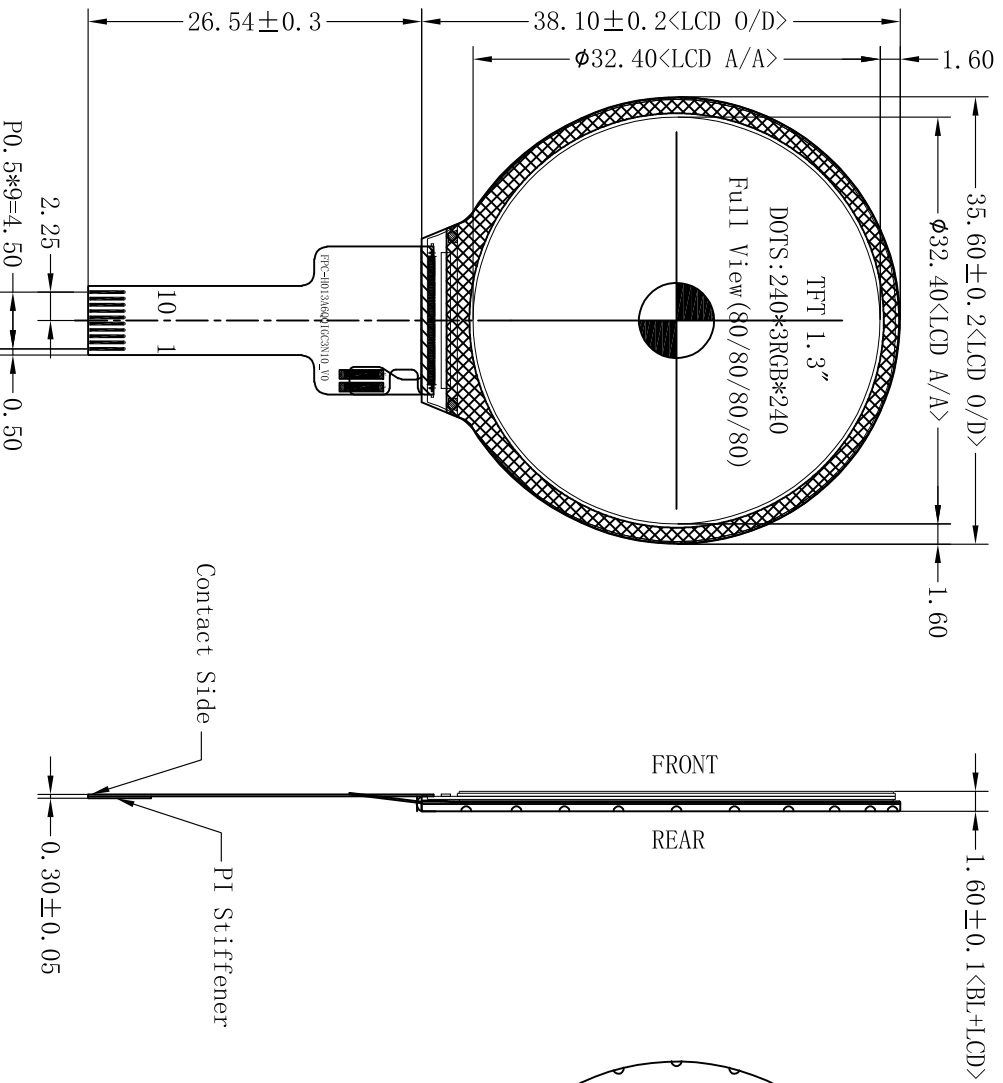
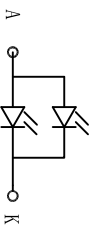


\*\*\* Do not display the fixed pattern for a long time when using a normally black panel, as it may cause image sticking due to the LCM structure. If the screen is displayed in fixed mode, use a screen saver. It is recommended to display the fixed mode in less than 2 minutes or less.



*1. LCD Display Type	TFT, Transmissive, Normally Black
*2. Viewing Direction	Full O'Clock (180/180/880/180)
*3. Interface	SPI 3L/4L
*4. Operating Voltage	VCI=2.8V, IOVCC=1.8V (Typ)
*5. Operating Temp	-20° C ~ 70° C
*6. Storage Temp	-30° C ~ 80° C
*7. Driver IC	GC9A01
*8. Backlight	WHITE Vf=3.2V If=40mA (Typ)
*9. LCM Brightness	750 cd/m <sup>2</sup> (Typ)

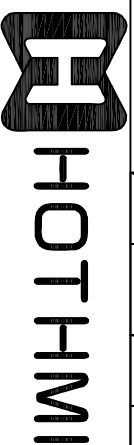


BL CIRCUIT DIAGRAM:  
Vf=3.2V, If=40mA

SPI4W	SPI Mode	Use Pins
0	SPI 3L	CS, SDA, SCL
1	SPI 4L	CS, SDA, SCL, D/CX

Note: Fix to VCI when not in use.

Pin_SIGNAL	Pin_SIGNAL
1	LED_A
2	VCI
3	CS
4	RESX
5	SCL
6	SDA
7	D/CX
8	SPI4W
9	LED_K
10	GND



Part Title: TFT-H013A60Q1GC7N10

Scale	1:1	Unit	MM	Tol.	±0.3	Ver:	V0
Drawn:	Liu	Date:	2020-08-24				